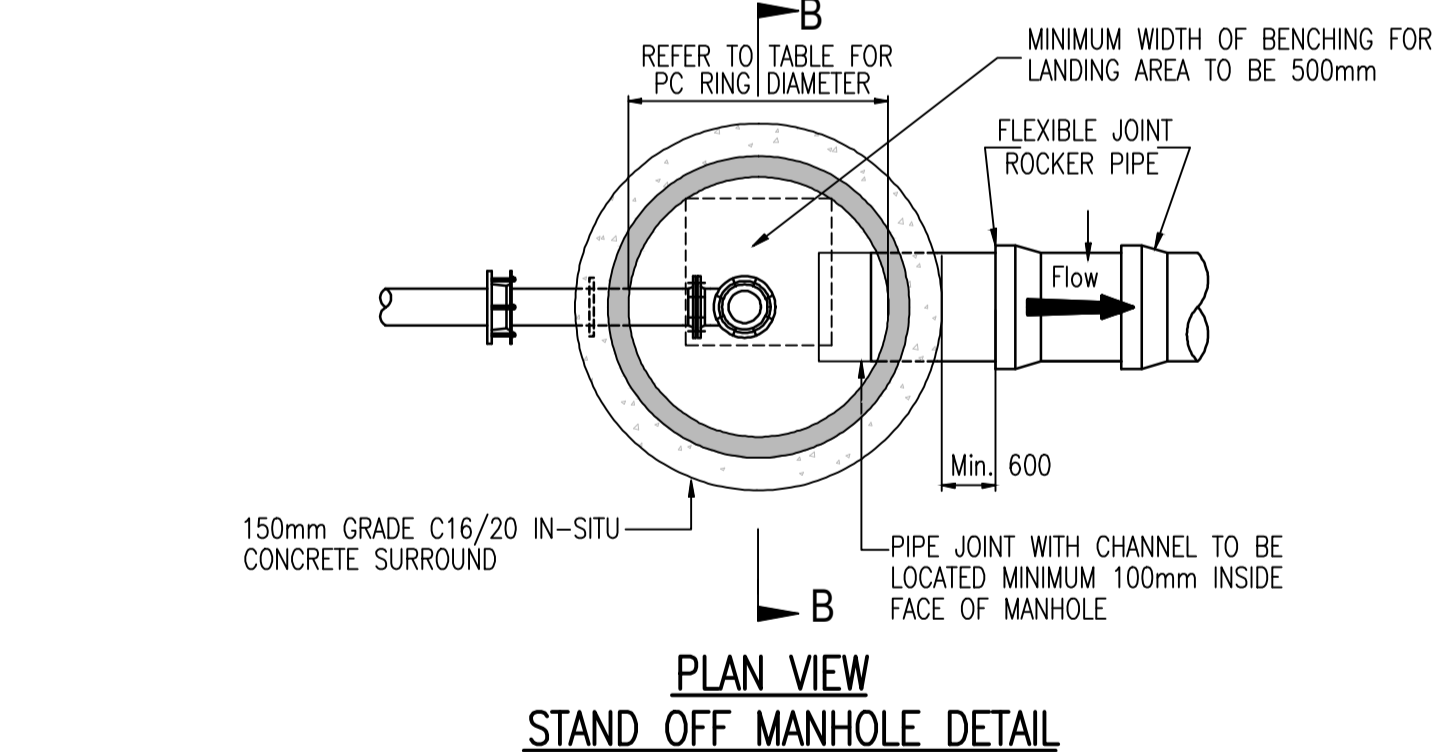
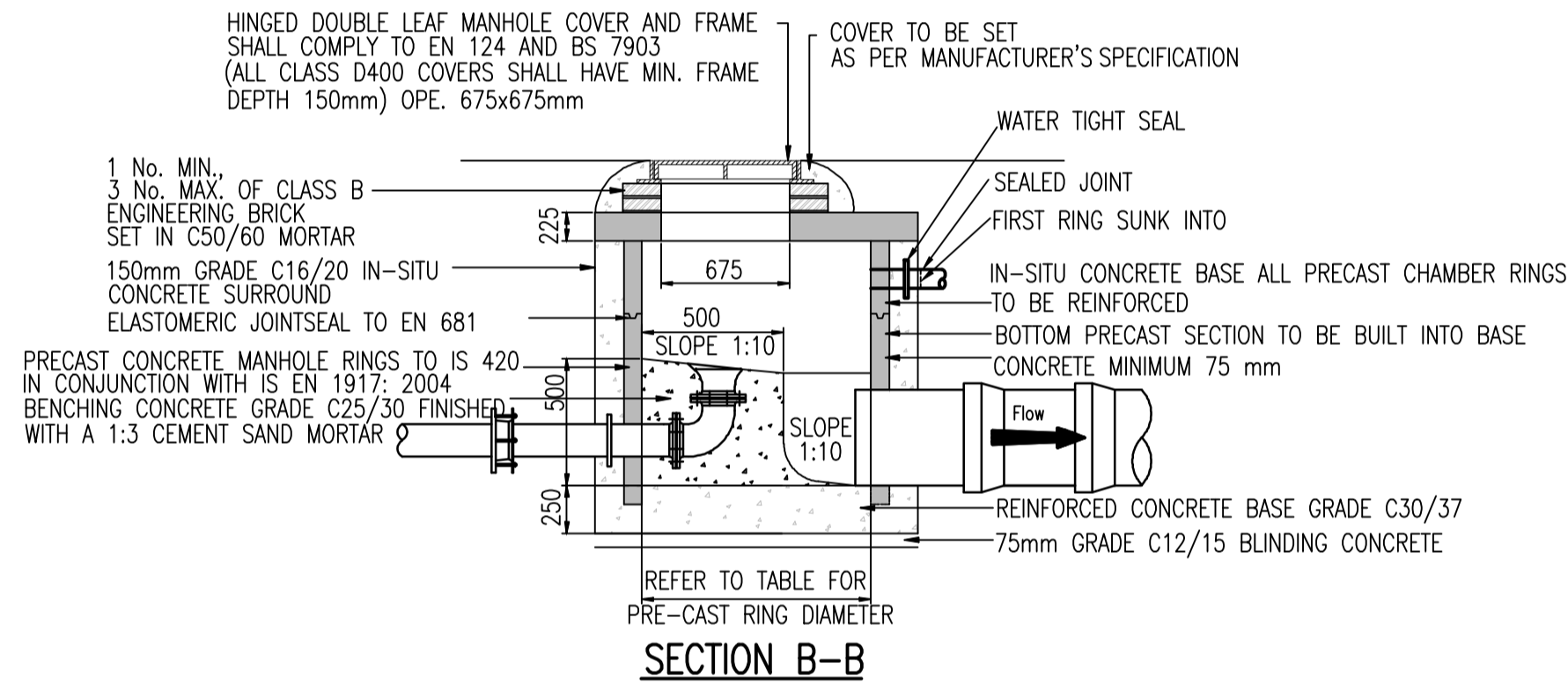


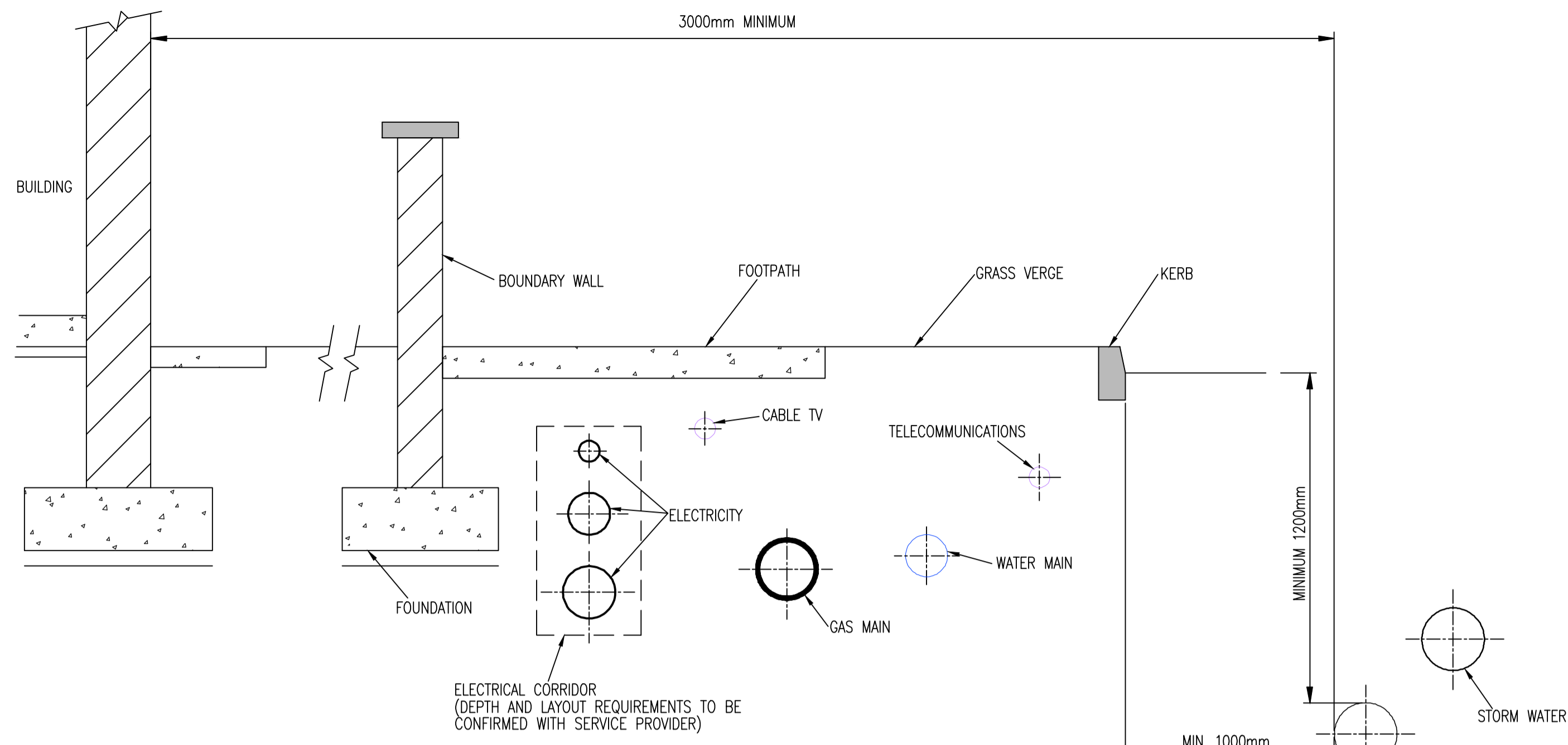
SERVICE LAYOUT NOTES:

- THE SEPARATION DISTANCES OUTLINED ARE MINIMUM REQUIREMENTS.
- SPECIFIC SEPARATION CLEARANCE DISTANCES IN EXCESS OF THESE MINIMA SHALL BE PROVIDED FOR SERVICES SUCH AS GAS, ELECTRICITY, FIBRE-OPTIC OR OIL FILLED CABLES AS THE CASE MAY BE. THE PARTICULAR UTILITY PROVIDERS SHALL BE CONSULTED TO DETERMINE THESE MINIMUM SEPARATION DISTANCES AND EVIDENCE OF THIS CONSULTATION, WITH THE SPECIFIED SEPARATION DISTANCES, SHALL BE PROVIDED TO IRISH WATER AT DESIGN STAGE.
- NOTIFICATION IN WRITING IS REQUIRED SHOULD WORKS BE WITHIN THE FOLLOWING DISTANCES FROM AN EXISTING WATER MAIN OR WASTEWATER RISING MAIN-- HORIZONTAL:
 - 1m AT EITHER SIDE OF AN EXISTING MAIN LESS THAN 200mm IN DIAMETER.
 - 2m AT EITHER SIDE OF AN EXISTING MAIN OF 200mm TO 350mm IN DIAMETER.
 - 5m AT EITHER SIDE OF AN EXISTING MAIN OF 350mm OR GREATER IN DIAMETER.
 WHERE DUCTS OR PIPES ARE TO BE LAID CLOSE TO AN EXISTING WATERMAIN OR SEWER IN THE OWNERSHIP OF IRISH WATER, NOTIFICATION IN WRITING SHALL BE PROVIDED A MINIMUM OF 10 DAYS AHEAD OF ADVANCEMENT OF THE WORK. NOTIFICATION IN WRITING IS REQUIRED SHOULD WORKS BE WITHIN 1.5m DISTANCE OF A WASTEWATER SEWER. REQUIREMENTS SHALL ALSO APPLY TO TRENCHES TO LOCATE THE MAIN OR GAIN GROUND INFO DATA. LARGER DIAMETERS >350mm DISTRIBUTION AND TRUNK MAINS, IRISH WATER MUST BE NOTIFIED AT LEAST 1 MONTH IN ADVANCE. DEVELOPERS SHALL ALSO COMPLY WITH ANY NOTIFICATION REQUIREMENTS OF OTHER UTILITY PROVIDERS (ESB, GAS MAIN, TELECOMMUNICATION ETC.). DETAILED PROPOSALS, INCLUDING WORK METHOD STATEMENTS, INSURANCE CONFIRMATION AND DETAILS OF WORK COMPLETED OF A SIMILAR NATURE MUST BE SUBMITTED TO IRISH WATER FOR ITS CONSIDERATION BEFORE AGREEMENT WILL ISSUE. ALL SUCH WORKS IN THE VICINITY OF ARTERIAL WATER MAINS AND SEWERS (MAINS GREATER THAN 400mm) SHALL BE SUBJECT TO WRITTEN AGREEMENT WITH IRISH WATER BEFORE CONSTRUCTION COMMENCES ON SITE. THIS AGREEMENT SHALL ALSO INCLUDE ANY NECESSARY PROTECTION FOR WATER MAINS.
- ANY DAMAGE SHALL BE NOTIFIED IMMEDIATELY TO IRISH WATER. THE PERSON WHO CAUSES THE DAMAGE TO A SEWER MAIN OR FITTING WILL BE DEEMED TO HAVE COMMITTED AN OFFENCE UNDER SECTION 45 OF THE WATER SERVICES ACT 2007.
- UNDER NO CIRCUMSTANCES WILL IRISH WATER ACCEPT SEWER MAIN INSTALLATIONS UNDER STRUCTURES, EXISTING OR PROPOSED, OR IN CLOSE PROXIMITY TO ANY EXISTING STRUCTURES OR FEATURES THAT WILL INHIBIT ACCESS FOR POST INSTALLATION MAINTENANCE AND ACCESS.
- THE MINIMUM CLEAR DISTANCE WILL BE INCREASED IF THE SEWER IS GREATER THAN 3m DEEP OR IF THE DIAMETER IS GREATER THAN 375mm. THE MINIMUM CLEAR DISTANCE IN THESE SITUATIONS SHALL BE > DEPTH TO INVERT OR 10 TIMES THE SEWER DIAMETER, WHICH EVER IS GREATER.
- THE EXTERNAL FACES OF MANHOLE SHALL BE AT LEAST 0.5m FROM KERB LINE
- WHERE DESIGN DEVIATES FROM TYPICAL DETAILS, THE LAYOUT IS SUBJECT TO REVIEW BY IRISH WATER.

MINIMUM MANHOLE DIAMETERS	
DIAMETER OF LARGEST PIPE IN MANHOLE (mm)	INTERNAL DIAMETER OF MANHOLE (mm)
LESS THAN 375	1200
375 TO 450	1350
500 TO 750	1500



- ALL DIMENSIONS ARE IN MILLIMETRES (mm) UNLESS NOTED OTHERWISE.
- PRE-CAST MANHOLES UNITS: COMPLYING WITH REQUIREMENTS OF IS EN 1917 AND BS 5911--PART 3.
- THICKER MANHOLE BASES REQUIRED FOR SEWERS IN EXCESS OF 3m DEEP WHERE THE SIZE IS GREATER THAN THE STANDARD MINIMUM SIZE.
- APPROVED PRE-CAST CONCRETE BASES MAY BE USED INCORPORATING CHANNELS, BENCHING ETC. SUBJECT TO IRISH WATER APPROVAL AND COMPLYING WITH BS 5911--PART 4 2002.
- STRUCTURAL DESIGN AND REINFORCEMENT DETAILS TO BE PROVIDED BY THE DEVELOPER AND SUBMITTED TO IRISH WATER FOR REVIEW.
- MANHOLE ROOFS SHOULD CONSIST OF REINFORCED CONCRETE SLAB OF IN-SITU CONCRETE, C30/37, WITH A MINIMUM THICKNESS OF 225mm DESIGNED TO CARRY ALL LIVE AND DEAD LOADS. ALTERNATIVELY, APPROVED PRE-CAST CONCRETE ROOF SLABS MAY BE USED SUBJECT TO IRISH WATER APPROVAL AND COMPLIANCE WITH BS 5911 PART 4: 2002.
- COVERS AND FRAMES SHALL BE SUITABLE FOR ROAD AND TRAFFIC CONDITIONS SUBJECT TO APPROVAL FROM IRISH WATER.
- 200mm ALL AROUND, 100mm DEEP CONCRETE PLINTH WITH PROTECTIVE STAINLESS STEEL METAL BAND AROUND COVERS IN GREEN AREAS.
- ALL CHAMBERS TO BE CHECKED FOR UPLIFT BY THE DEVELOPER BASED ON GROUND CONDITIONS WITHIN THE SITE. SHOULD ANTI FLOATION MEASURES BE REQUIRED THEY SHALL BE SUBJECT TO APPROVAL FROM IRISH WATER.
- ALL CONCRETE TO BE IN ACCORDANCE WITH IS EN 206.



TYPICAL SERVICE LAYOUT INDICATING SEPARATION DISTANCE

STD-WW-05
NTS

- NOTES:
- DO NOT SCALE. USE FIGURED DIMENSIONS ONLY.
 - THIS DRAWING IS TO BE READ IN CONJUNCTION WITH ALL OTHER RELEVANT ARCHITECTURAL AND ENGINEERING DRAWINGS.

METHOD STATEMENTS: ALL WORKS SHALL BE CARRIED OUT IN ACCORDANCE WITH BS 5837 AND INFORMED BY NJUG VOLUME 4.

PRECAUTION AREA: EXCAVATIONS FOR PIPEWORK SHOULD NOT BE UNDERTAKEN WITHIN THIS AREA, UNLESS AGREED WITH IRISH WATER. WORKS WITHIN THE PRECAUTION ZONE MUST BE SUPERVISED BY A QUALIFIED ARBORIST. WORKS SHALL BE SUBJECT OF A CLEAR METHOD STATEMENT OUTLINING ALL WORKS ADJACENT TO THE TREES/SHRUBS WHICH IS TO BE PREPARED & AGREED IN ADVANCE OF THE WORKS. MATERIAL, PLANT & SPOIL SHALL NOT BE STORED WITHIN THIS ZONE.

EXCLUSION AREA: WORKS IN THIS AREA ARE TO BE AVOIDED, UNLESS ABSOLUTELY NECESSARY & AGREED WITH IRISH WATER. EXCAVATIONS FOR PIPEWORK SHOULD NOT BE UNDERTAKEN WITHIN THIS AREA, UNLESS NECESSARY AND NO OTHER OPTIONS AVAILABLE. WORKS WITHIN THE EXCLUSION ZONE MUST BE SUPERVISED BY A QUALIFIED ARBORIST AND AGREED WITH IRISH WATER. WORKS SHALL BE SUBJECT OF AN ARBORICULTURAL IMPACT ASSESSMENT AS PER BS 5837 & A CLEAR METHOD STATEMENT OUTLINING ALL WORKS ADJACENT TO THE TREES/SHRUBS IS TO BE PREPARED AND AGREED IN ADVANCE OF THE WORKS. MATERIAL, PLANT & SPOIL SHALL NOT BE STORED WITHIN THIS ZONE.

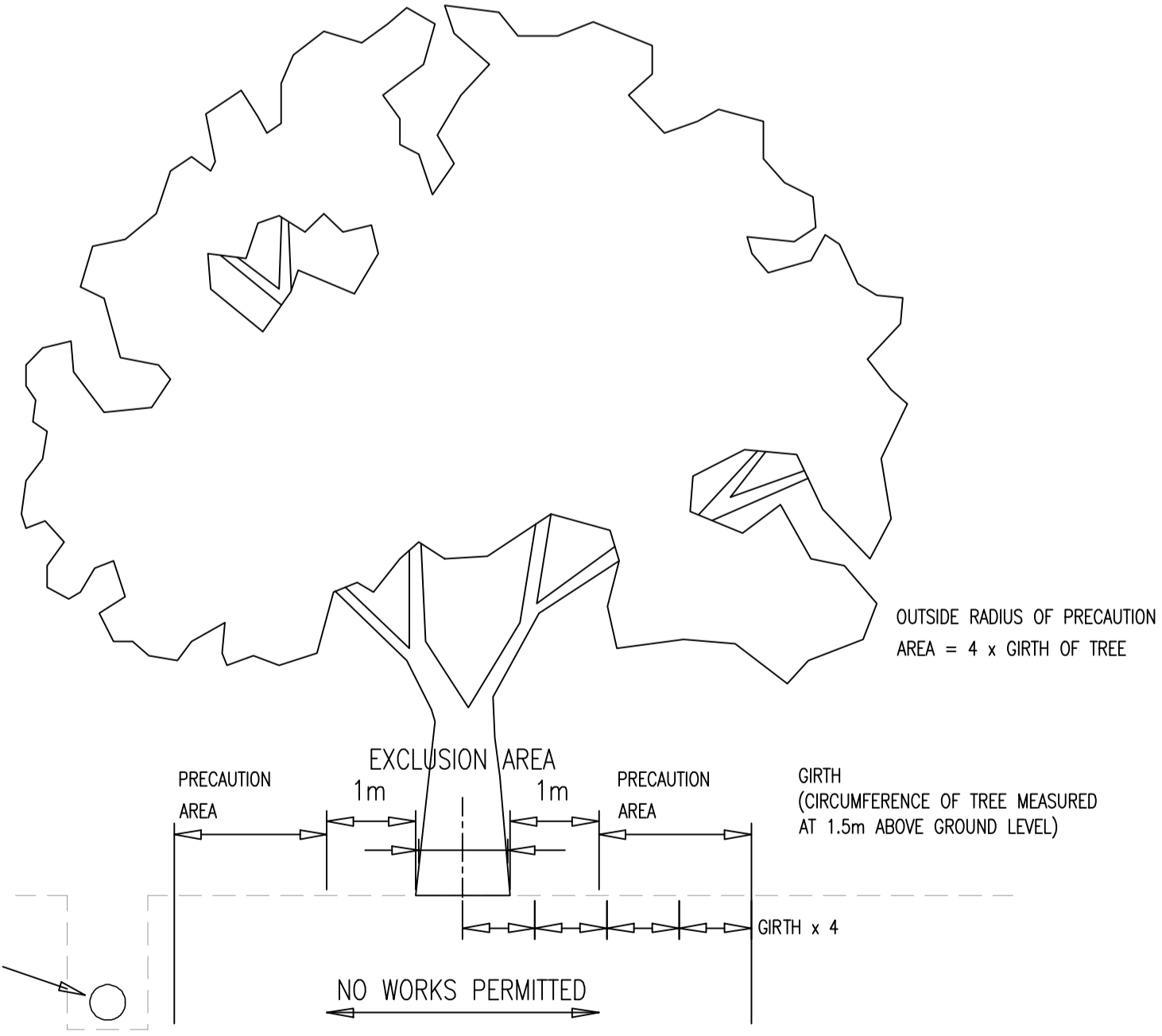
THE DISTANCES GIVEN IN TABLE A.1. OF BS 5837 MUST BE FURTHER INFORMED BY THE SPECIES & IN DIAGRAM 2 BELOW. DIAGRAM 1 ABOVE PROVIDES A FLOW CHART TO THE DECISION PROCESS WHILST DIAGRAM 2 BELOW IS TO BE USED TO INFORM THE PLANTING REGIME. PLEASE NOTE THAT TABLE A.1. OF BS 5837 (BELOW) IS TO BE USED TO CALCULATE THE ABSOLUTE MINIMUM DISTANCE BETWEEN NEW TREE PLANTING FROM THE WASTEWATER INFRASTRUCTURE (THE SERVICES). THE DISTANCE IS REQUIRED TO AVOID DIRECT DAMAGE TO THE INFRASTRUCTURE FROM FUTURE GROWTH. THE DISTANCE IS A FUNCTION OF THE DEPTH OF THE SERVICES AND THE (FINAL EXPECTED) STEM DIAMETER OF THE TREE AT MATURITY (i.e. FINAL EXPECTED GROWTH).

Services	Minimum distance between young trees or new planting & structures, in metres (m)		
	Final stem dia. < 300mm	Final stem dia. 300mm to 600mm	Final stem dia. > 600mm
< 1m deep	0.5	1.5	3.0
> 1m deep	---	1.0	2.0

- THUS FOR EXAMPLE:
- FOR A SERVICE LESS THAN 1 METRE DEEP, THE MINIMUM DISTANCE IS TO BE 1.5m FOR A TREE BETWEEN 300 AND 600mm STEM DIAMETER AT MATURITY.
 - FOR A SERVICE GREATER THAN 1 METRE DEEP, THE MINIMUM DISTANCE IS TO BE 1.0m FOR A TREE BETWEEN 300 AND 600mm STEM DIAMETER AT MATURITY.

NOTE: RESTRICTIONS RELATE TO INFRASTRUCTURE WITHOUT ROOT INTRUSION PROTECTION.

THE DESIGN OF LANDSCAPING SHALL BE UNDERTAKEN IN CONJUNCTION WITH THE DESIGN OF WASTEWATER INFRASTRUCTURE, ETC. THE TREE/BUSH/SHRUB SHALL NOT BE LOCATED CLOSER TO THE WASTEWATER INFRASTRUCTURE THAN INDICATED ABOVE, EXCEPT WHERE SPECIAL PROTECTION MEASURES ARE PROVIDED. WHERE THERE IS A RISK OF TREE/ROOT INTRUSION, THE WASTEWATER INFRASTRUCTURE SHALL BE RESISTANT TO TREE ROOT INGRESS (e.g. BY USE OF APPROPRIATE BARRIERS, HIGH PERFORMANCE JOINTS, OR BY USE OF POLYETHYLENE WITH WELDED JOINTS FOR RISING MAINS). THE LANDSCAPE DESIGN AND DETAILS OF THE SPECIAL PROTECTION MEASURES MUST BE AGREED WITH IRISH WATER. A TREE SHALL NOT BE PLANTED DIRECTLY OVER WASTEWATER INFRASTRUCTURE WHERE EXCAVATION OF THE INFRASTRUCTURE WOULD REQUIRE REMOVAL OF THE TREE UNLESS SUCH PLANTING IS AGREED WITH IRISH WATER AND IN GENERAL ONLY SHALLOW ROOTING SHRUBS SHALL BE PLANTED CLOSE TO WASTEWATER INFRASTRUCTURE. PLEASE ENSURE THAT THESE DISTANCES ARE ADHERED TO IN ORDER TO PROTECT THE TREES FROM ANY FUTURE MAINTENANCE. REFERENCE SHOULD ALSO BE MADE TO BS 5837, BS 8545 AND THE NJUG GUIDELINES VOLUME 4 FOR FURTHER INFORMATION.



RESTRICTION ON WASTEWATER INFRASTRUCTURE WORKS ADJACENT TO TREES

STD-WW-06
NTS

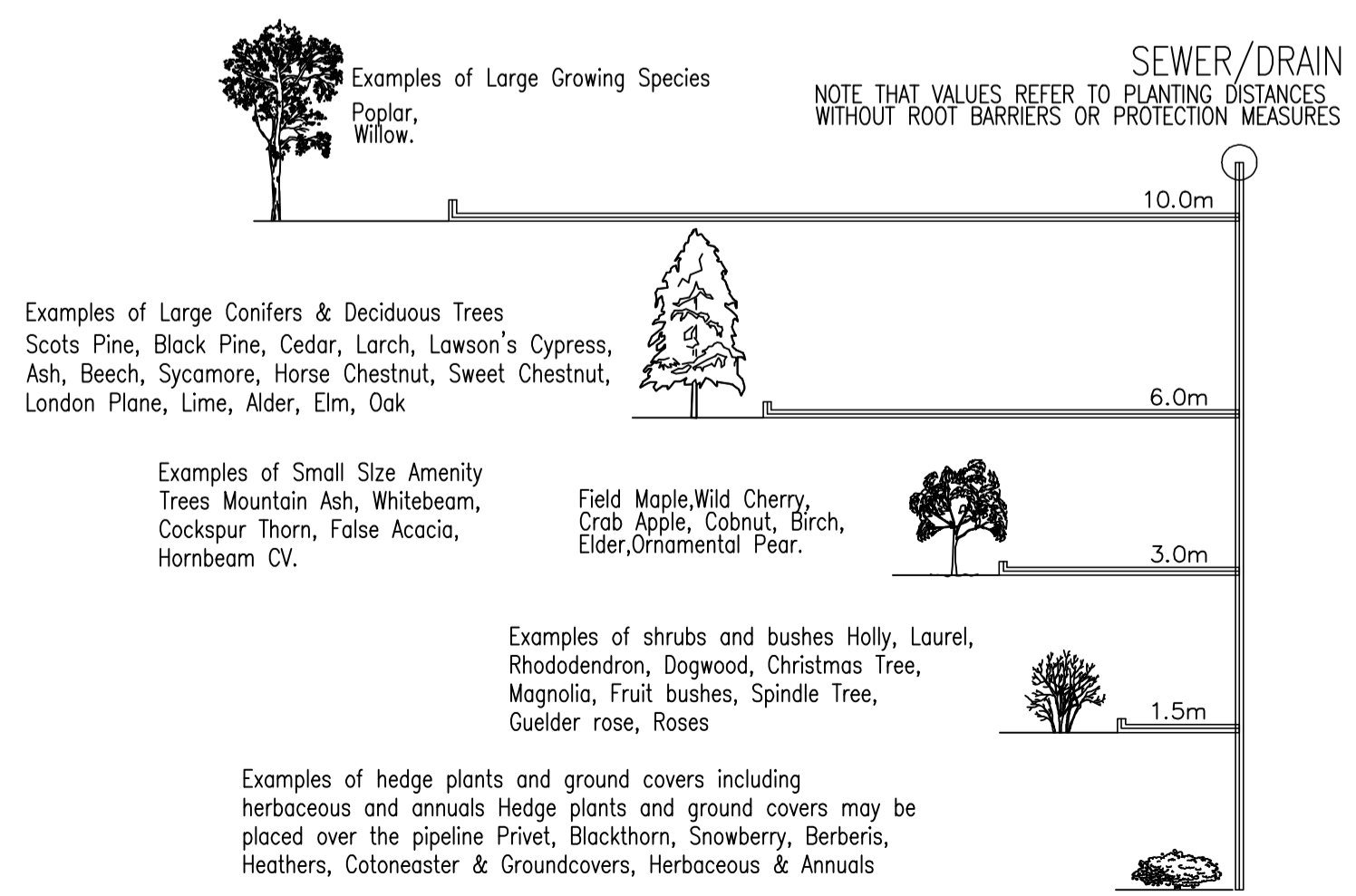


DIAGRAM 2: PLANTING DISTANCES FOR DIFFERENT SPECIES WITHOUT BARRIER PROTECTION

REV.	DATE	AMENDMENT	DRN	APPD

STATUS: **FOR PLANNING ONLY NOT FOR CONSTRUCTION**

Waterman Moylan Engineering Consultants
BLOCK 8, EASTPOINT BUSINESS PARK, ALFIE BYRNE ROAD, DUBLIN D03 H3F4 IRELAND.
Tel: (01) 664 8900 Fax: (01) 661 3618
Email: info@waterman-moylan.ie www.waterman-moylan.ie

CLIENT: **ALPHABET_ABC**
ARCHITECT: **JOHN FLEMMING ARCHITECTS**

PROJECT: **PROPOSED CO-LIVING DEVELOPMENT AT CORK STREET AND JOHN STREET SOUTH, DUBLIN 8**

TITLE: **PUBLIC FOUL WATER DRAINAGE DETAILS SHEET 2 OF 2**

DRAWN	DESIGNED	APPROVED	DATE
N. Sharkey	EC	JG	JAN. 2020
SCALE	JOB NO.	DRG. NO.	REVISION
N.T.S	19-080	P233	

© 2011. This drawing is copyright. No part of this document may be reproduced or transmitted in any form or stored in any retrieval system of any nature without the written permission of the consulting engineer or copyright holder except as agreed for use on the project for which the document was originally issued.